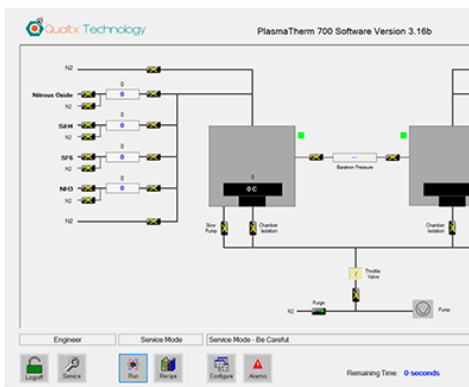
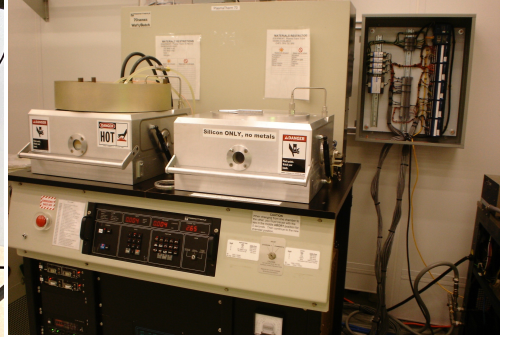
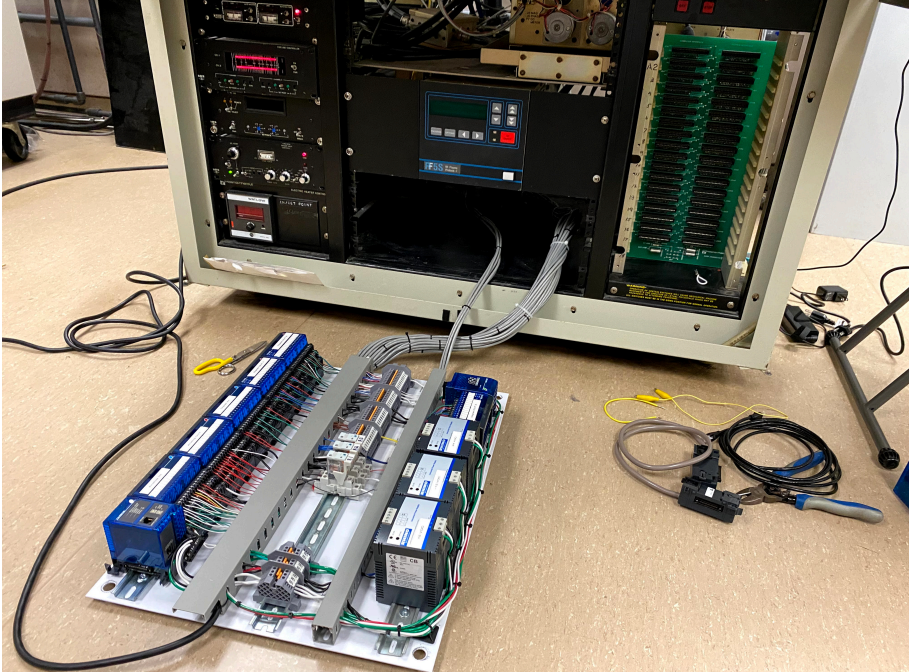




Qualtx Technology



Software Upgrade

Qualtx Technology has been in business for more than 20 years, helping companies and universities like MIT, NASA, AMD, Micron Technology, DRS, Cornell University, University of Wisconsin, Raytheon, Texas Instruments, and others save money by retrofitting the control system on old process tools and extending their life.

In 2016, Qualtx introduced new control system software replacing its Generation 1 Software used on all systems up until that time.

The Generation 2 Software includes an advanced feature-rich interface designed with input from universities where multiple people use the equipment.

Qualtx Technology, Inc.
Phone: 214-578-7712
Email: kmiller@qualtx.com

Web: qualtx.com

Qualtx Technology, Inc.
1513 Ports O Call Drive
Plano, TX 75075

Software Features

The new software features manual operation mode, fully automated mode, unlimited recipe storage, data logging, multiple user login and tracking, recipe sharing between users, and alarm history. All of the wiring diagrams and component manuals are incorporated into the new software so the information is available to the operator at all times.

Software Upgrade Pricing and Options

Option 1 Onsite Installation by Qualtx: \$8,500

Onsite installation of software upgrade along with new computer and monitor. Includes 2 days at customer site for testing to work out any kinks with the new software on customer's hardware. We will transfer any current recipes from the old system to the new software. (Includes new PC with Windows 11 operating system.)

Option 2: Installation by Customer \$6,200

Qualtx works with customer to install and test software. New computer and monitor are shipped and set up by the customer, then all testing and working out the kinks is done through phone calls and emails. Customer transfers any recipes from old system to new software. (Includes new PC with Windows 11 operating system.)

New Warranty

First 12-Months

Software bug fixes and any minor software enhancements are provided to the customer free of charge for twelve months from the date of the invoice from Qualtx.

Life of the Tool

Software bug fixes are provided to the customer free of charge for the life of the tool as long as the Qualtx software is not in end-of-life status.

Additions:

Source Code: \$500

Source code can be purchased as an option for archival or modification purposes. The source code is delivered after the final invoice has been paid.

Qualtx is the leading specialist in computer control system upgrades and retrofits for plasma etch and deposition equipment.